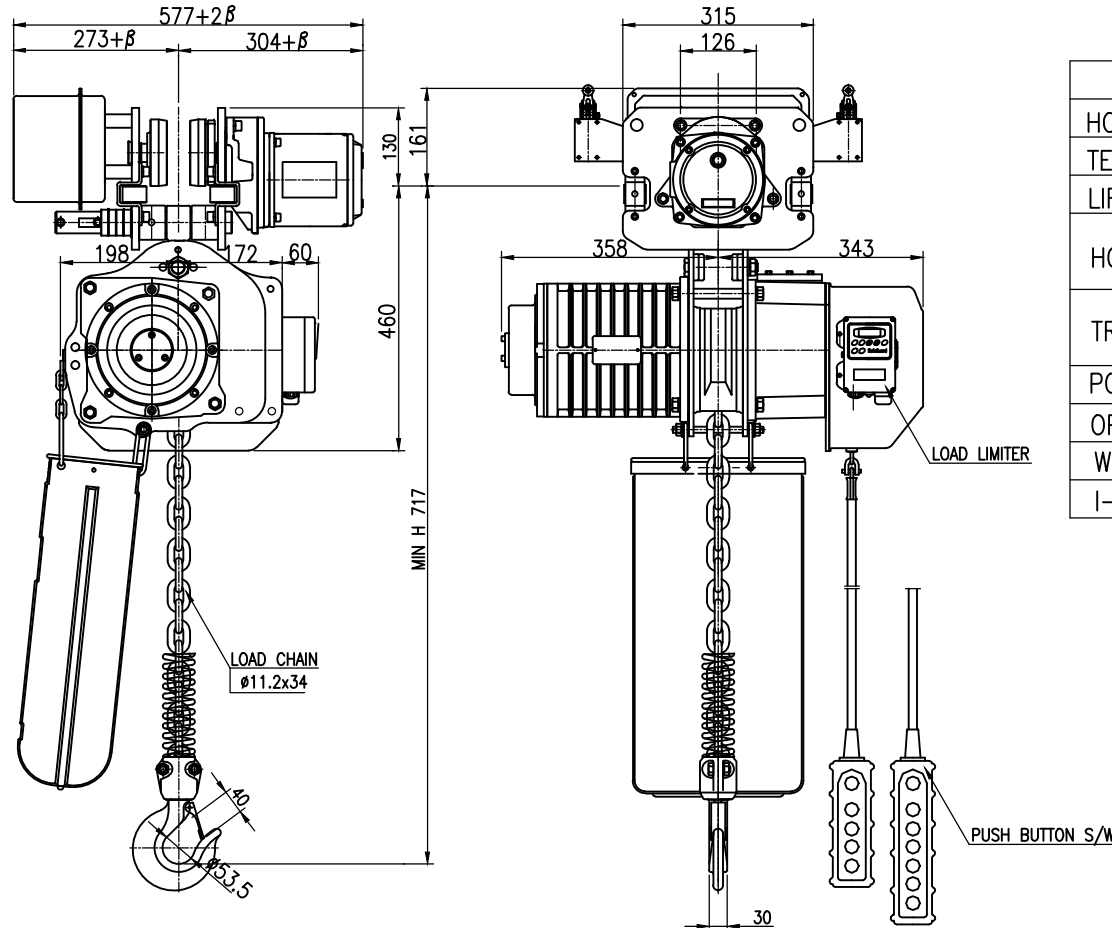


NO	DESCRIPTION	MAT'L	Q'TY	WT(kg)	REMARKS



SPECIFICATION			
HOISTING LOAD	1.9	TON	
TESTING LOAD	2.375	TON	
LIFTING HEIGHT	4	M	
HOISTING	SPEED	2.1-6.4	M/MIN
	MOTOR	1.8/1.2 KW x 4P x 1	SET
TRAVERSING	SPEED	5.1-15.2	M/MIN
	MOTOR	0.4 KW x 6P x 1	SET
POWER SUPPLY	AC 220,380,440,480V x 3ø x 60 Hz		
OPERATING METHOD	P.B type ON . FL		
WEIGHT	173 KG		
I-BEAM SIZE	100-150 MM		

NOTE

- * β는 BEAM 변동 치수임.
- * ROLLER DIA : Ø110
- * LIMIT SWITCH : OPTION
- * 본 도면은 I-BEAM 100MM 기준임.

TITLE				EDSM-1.9S CHAIN HOIST		PROJECTION	
WORK NO		WORK NAME					
		SCALE		Q'TY			
		1/1		1			
DRAWN	CHECKED	REVIEWED	APPROVED	DRAWING NO			
YOO.M.R	-	LEE. H.J	Y. K	EDSM19S01			
2012.06.13	-	2012.06.21	2012.10.31				

도면에 지시되지 않은 일반공차						
가공별	치수	3-6	6-30	30-120	120-315	315-1000
선	삭	±0.1	±0.2	±0.3	±0.5	±0.8
구멍간	거리	±0.1	±0.2	±0.3	±0.5	±0.8

REV.NO	DATE	REVISION DESCRIPTION	DRAWN	CHECKED	APPROVED

DAESAN INoTEC INC