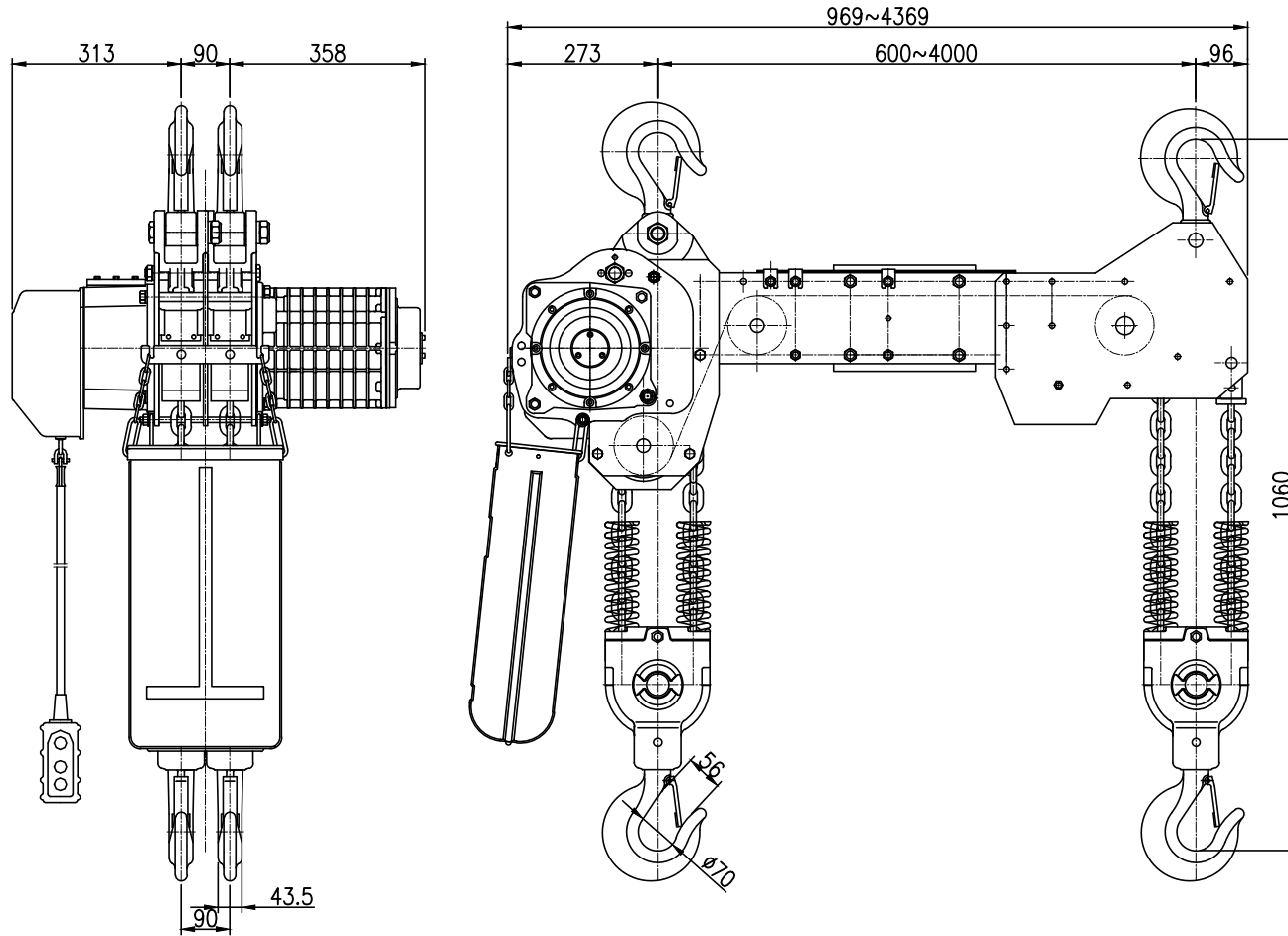


NO	DESCRIPTION	MAT'L	Q'TY	WT(kg)	REMARKS



SPECIFICATION		
HOISTING LOAD	5	TON
TESTING LOAD	6.25	TON
LIFTING HEIGHT	5	M
HOISTING	SPEED	2.75/3.25 M/MIN
	MOTOR	3.5 KW x 4P x1 SET
POWER SUPPLY	AC 220,380,440,480 x 3Ø x 50/60Hz	
OPERATING METHOD	P.B type ON . FL	

TITLE DSDHA-5W CHAIN HOIST				PROJECTION	
WORK NO	WORK NAME				
				SCALE	Q'TY
				1/1	1
DRAWN	CHECKED	REVIEWED	APPROVED	DRAWING NO	
H.J	-	LEE. H.J	Y. K	DSDHA050W1	
2015.11.02	-	2015.11.02	2015.11.02		

도면에 지시되지 않은 일반공차						
가공별	치수	3-6	6-30	30-120	120-315	315-1000
선	삭	±0.1	±0.2	±0.3	±0.5	±0.8
구멍간	거리	±0.1	±0.2	±0.3	±0.5	±0.8

REV. NO	DATE	REVISION DESCRIPTION	DRAWN	CHECKED	APPROVED

DAESAN InoTEC INC