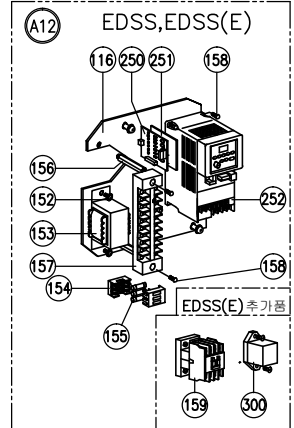
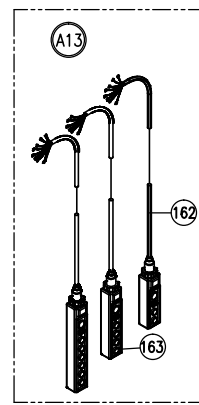
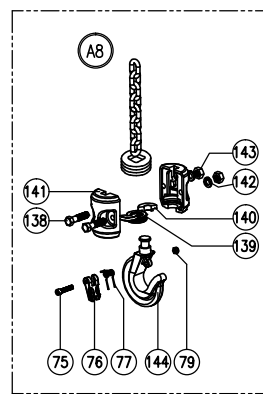
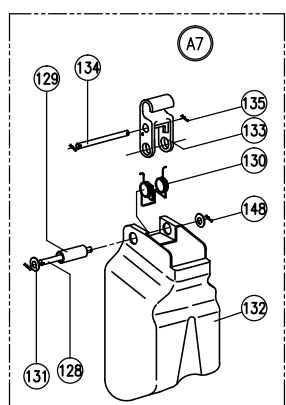
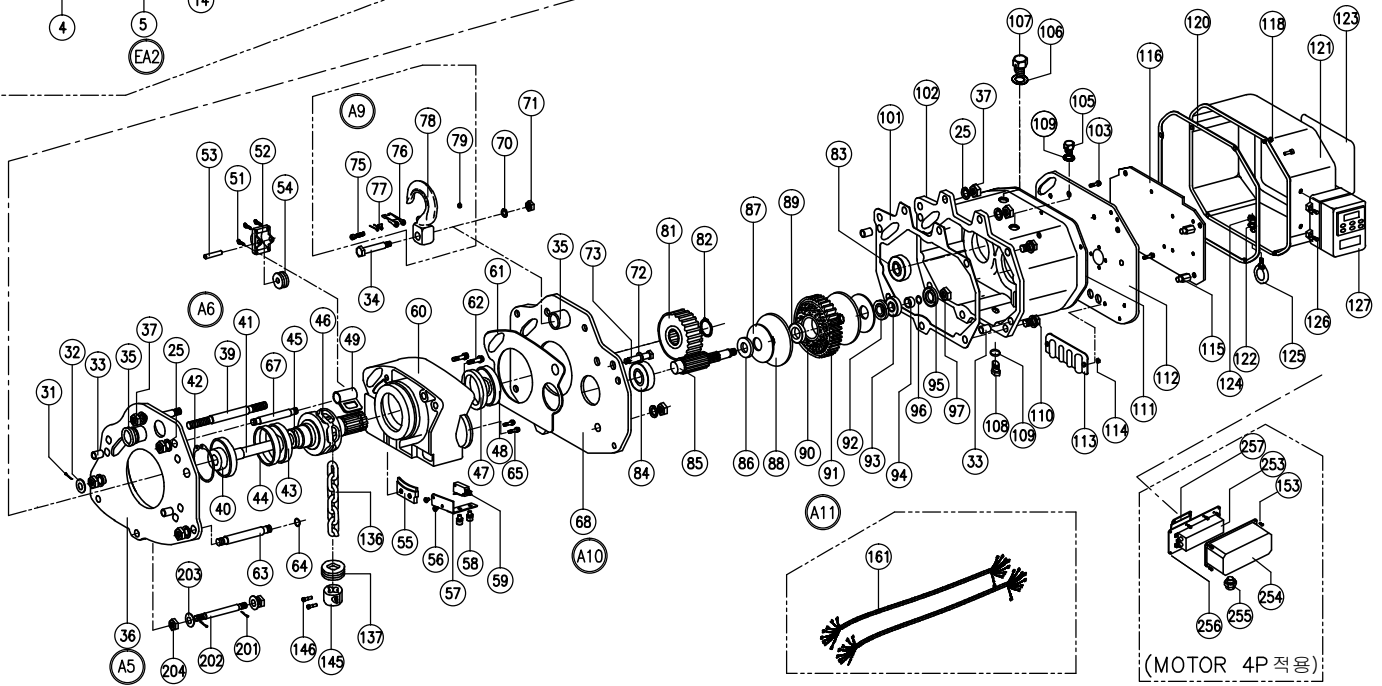
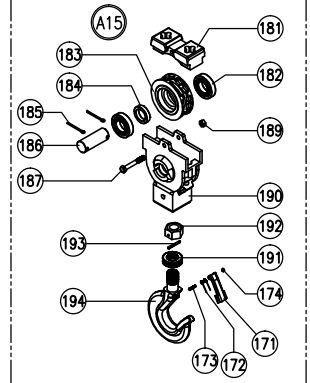
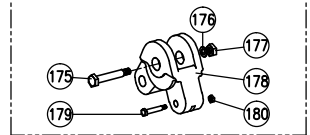
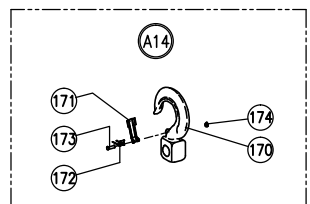
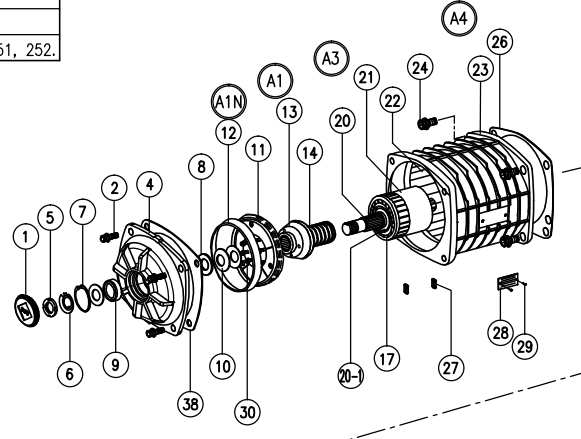
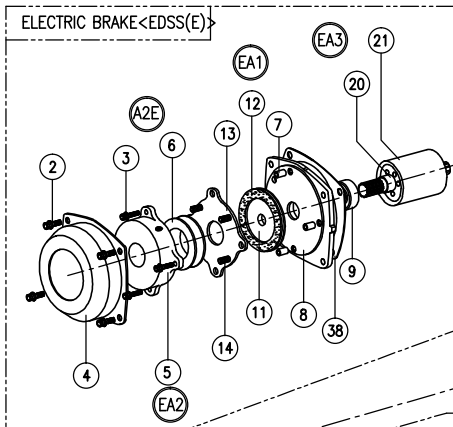


# EDSS,EDSS(E) CHAIN HOIST

ASSY NO	ASSEMBLED PARTS	ASSY NO	ASSEMBLED PARTS
A1	A1N, 13, 30.	A12(EDSSE)	116, 152, 153, 154, 155, 156, 157, 158, 159, 250, 251, 252,300
A1N	11, 12.	A13	162, 163.
A3	17, 20, 21, 20-1.	A14	170, 171, 172, 173, 174.
A4	22, 23, 27, 28, 29.	A15	171, 172, 173, 174, 181, 182, 183, 184, 185, 186, 187, 189, 190, 191, 192, 193, 194
A5	35, 36.		EA1
A6	40, 41.	EA2	A2E, 5 <EDSS(E)>
A7	128, 129, 130, 131, 132, 133, 134, 135, 148.	A2E	6 <EDSS(E)>
A8	75, 76, 77, 79, 138, 139, 140, 141, 142, 143, 144.	EA3	20, 21 <EDSS(E)>
A9	75, 76, 77, 78, 79.		
A10	35, 68.		
A11	90, 91.		
A12(EDSS)	116, 152, 153, 154, 155, 156, 157, 158, 250, 251, 252.		



## EDSS, EDSS(E)-0.5S PART LIST

NO	CODE NO	DESCRIPTION	Q'TY	REMARK	NO	CODE NO	DESCRIPTION	Q'TY	REMARK
1	DST010S704	PACKING CAP	1		56	DSPTS04100	TAP SCREW	2	M4x10
2	DSPW082500	WRENCH BOLT S/W	4	M8x25	57	DST010S410	M/S BRACKET	1	
4	DST010S702	BRAKE COVER	1		58	DSPM061500	MACHIN SCREW S/W	2	M6x15
5	DSPLANO400	LOCK NUT	1	AN04	59	DST010S411	LIMIT SWITCH	1	
6	DSPLAW0400	LOCK WASHER	1	AW04	60	DST050S400	CHAIN GUIDE	1	
7	DSPSR47000	SNAP RING	1	R47	61	DST010S404	PACKING CHAIN GUIDE	1	
8	DSPP213303	PLAIN WASHER	2	21 33 4	62	DSPW084500	WRENCH BOLT S/W	2	M8x45
9	DSPB6204DD	BALL BEARING	1	6204DD	63	DST010S123	STAY BOLT A	1	
10	DST010S703	CLUTCH SPRING	2		64	DSPOP10000	ORING	1	P10
11	DST010S708	BRAKE DISC	1		65	DSPW052500	WRENCH BOLT S/W	2	M5x25
12	DST010S707	LINING	1		67	DST010S124	STAY BOLT B	2	
13	DST010S700	MOVING CORE	1		68	DST010S300	GEAR SIDE PLATE	1	
14	DST050S705	BRAKE SPRING	1		70	DSPS120000	SPRING WASHER	1	M12
17	DST010S505	MAGNETIC CORE	1		71	DSPU120000	U-NUT	1	M12
20	DST010S50A	ROTOR SHAFT	1		72	DST010S215	PACKING STOPPER BOLT	1	
20-1	DST010S201	PLAIN WASHER	1		73	DST010S301	STOPPER BOLT	1	
21	DST050S501	ROTOR	1		75	DSPW042500	HEX WRENCH BOLT	2	M4x25
22	DST050S602	STATOR	1		76	DSN051414	SAFTY LATCH	2	DSN-0.5T
23	DST010S600	MOTOR CASE	1		77	DSN011413	SAFTY LATCH SPRING	2	DSN-1T
24	DSPW102000	WRENCH BOLT S/W	4	M10x20	78	DST050S01A	TOP HOOK	1	
25	DSPS100000	SPRING WASHER	9	M10	79	DSPU040000	U-NUT	2	M4
26	DST010S601	PACKING MOTOR CASE	1		81	DST010S305	4th GEAR	1	
27	DSPSP08120	SPRING PIN	2	ø8x12	82	DSPSS40000	SNAP RING	1	S40
28	DST005S027	MOTOR NAME PLATE	1		83	DSPB6301ZZ	BALL BEARING	1	6301ZZ
29	DSPRI03100	RIVET	2	ø3x10	84	DSPB6204ZZ	BALL BEARING	1	6204ZZ
30	DSPW061500	WRENCH BOLT S/W	6	M6x15	85	DST010S203	3RD GEAR	1	
31	DSPCR10000	R PIN	2	10호	86	DST010S208	COLLAR D	1	
32	DSPPO80000	PLAIN WASHER	2	M8	87	DST010S207	CLUTCH SPRING	2	
33	DSPSP10120	SPRING PIN	4	ø10x12	88	DST010S204	CLUTCH DISC	2	
34	DST010S302	TOP HOOK PIN	1		89	DST010S206	GUIDE COLLAR	1	
35	DST010S121	SUPPORT BOSS	2		90	DST010S202	CLUTCH LINING	2	
36	DST010S120	MOTOR SIDE PLATE	1		91	DST010S201	2nd GEAR	1	
37	DSPN100000	HEX NUT	9	M10	92	DST010S209	COLLAR C	1	
38	DST010S038	PACKING BRAKE COVER	1		93	DSPB6203ZZ	BALL BEARING	1	6203ZZ
39	DST010S904	CHAIN BOX STAY BOLT	1		94	DST010S205	COLLAR A	1	
40	DST010S101	1st GEAR JOINT	1		95	DSP0254008	OIL SEAL	1	25x40x8
41	DST010S100	1st GEAR	1		96	DSPOP12500	ORING	1	P12.5
42	DSPSR80000	SNAP RING	1	R80	97	DSPU120000	U-NUT(PITCH 1.25)	1	M12
43	DSPB6208ZZ	BALL BEARING	2	6208ZZ	101	DST010S211	PACKING GEAR CASE	1	
44	DST010S128	CHAIN GUIDE COLLAR	1		102	DST010S210	GEAR CASE	1	
45	DSP0213208	OIL SEAL	1	21 32 8	103	DSPW061801	HEX WRENCH BOLT S/W	4	M6x18
46	DST050S403	LOAD SHEAVE	1		105	DSPH101500	AIR HOLE BOLT	1	M10x15
47	DSP0456812	OIL SEAL	1	45 68 12	106	DST010S214	PACKING OIL PLUG	1	
48	DSPB6008ZZ	BALL BEARING	1	6008ZZ	107	DST010S212	OIL PLUG	1	
49	DSA010S207	HANGER HOLDING METAL	1		108	DSPH101500	HEX BOLT	2	M10x15
51	DSPW062000	HEX WRENCH BOLT S/W	4	M6x20	109	DSP0257500	ORING	2	ø2.5x7.5
52	DST010S408	ROLLER COVER	1		110	DSPH102000	HEX BOLT S/W	5	M10x20
53	DST010S409	ROLLER PIN	1		111	DST010S111	PACKING BOARD	1	
54	DST050S407	ROLLER	1		112	EDST01S110	COMPONENT BOARD	1	
55	DST050S420	STRIPPER	1		113	DST010S014	CORD HOLDER ASS'Y	1	

EDSS, EDSS(E)-0.5S PART LIST

NO	CODE NO	DESCRIPTION	Q'TY	REMARK	NO	CODE NO	DESCRIPTION	Q'TY	REMARK
114	DSPN050000	HEX NUT	2	M5	253	DST0010253	BRAKING RESISTANCE	1	
115	DST010S674	HEX STAY PIN(S)	4		254	DST0010254	COVER	1	
116	EDST01S112	ELECTRIC EQUIPMENT BOARD	1		255	DST0010255	CABLE LOCKER	1	
118	DSPM061200	MACHIN SCREW S/W	8	M6x12	256	DST0010256	BASE PLATE	1	
120	EDST01S801	PACKING COMPONENT CASE	1		257	DST0010257	BRACKET	1	
121	EDST01S802	ELECTRIC COMPONENT CASE	1						
122	DSPS080000	SPRING WASHER	1	M8					
123	EDSS01S123	NAME PLATE	1						
124	DSPN080000	NUT	1	M8					
125	DSPE080000	EYE BOLT	1	M8					
126	DSPM051200	MACHIN SCREW S/W	1	M5x12					
127	DST010S127	LOAD LIMITER	1		EDSS(E) PART				
128	DST010S128	CHAIN BOX HANGER PIN	1		3	DSPW083500	WRENCH BOLT S/W	4	M8x35
129	DST010S129	STAY PIPE	2		4	DSTE10S004	BRAKE COVER	1	
130	DST010S130	RETURN SPRING	1		5	DSTE10S015	BRAKE STATOR	1	
131	DSPP120000	PLAIN WASHER	1	M12	6	DSTE10S017	BOBIN	1	
132	DST010S021	CHIAN BOX	1		7	DSTE10S016	STAY PIN	4	
133	DST010S133	CHAIN BOX HANGER	1		8	DSTE10S030	BEARING SUPPORT	1	
134	DST010S134	CHAIN BOX HANGER PIN	1		9	DSPB6205DD	BALL BEARING	1	6205DD
135	DSPCR10000	R PIN	2	10 $\bar{\sigma}$	11	DSTE10S011	BRAKE DISC	1	
136	DST050S800	LOAD CHAIN	1		12	DSTE10S012	LINING	2	
137	DST010S013	BUMPER ASS'Y	2		13	DSTE10S013	MOVING CORE	1	
138	DSPH062500	WRENCH BOLT	2	M6x25	14	DSTE10S014	BRAKE SPRING	4	
139	DSPT511030	THRUST BEARING	1	51103	20	DSTE10S019	ROTOR SHAFT	1	
140	DST050S15C	SPLIT RING	2		21	DSTE10S021	ROTOR	1	
141	DST050S901	BOTTOM HOOK COVER	2		159	DSA010S600	MAGNETIC CONTACTOR	1	
143	DSPU060000	U NUT	2	M6	300	DSA010S663	DPM(RECTIFIIER)	1	
144	DST050S15A	BOTTOM HOOK	2		ASSEMBLY(EDSS)				
145	DST010S20A	CHAIN STOPPER	2		A1	DST010S007	BRAKE ASS'Y	1	
146	DSPW062500	WRENCH BOLT	2	M6X25	A1N	DST010SA1N	BRAKE DISC ASS'Y	1	
148	DSPCR12000	R PIN	2	12 $\bar{\sigma}$	A3	DST050S005	ROTOR ASS'Y	1	
152	DSPM040800	MACHINE SCREW S/W P/W	4	M4x8	A4	DST050S006	MOTOR ASS'Y	1	
153	DSPTR40VA0	TRANSFORMER	1		A4S	DST050SA4S	STATOR ASS'Y	1	
154	DSPFH3P000	FUSE HOLDER	1		A5	DST010S002	MOTOR SIDE PLATE ASS'Y	1	
155	DSPF01A000	FUSE	3		A6	DST010S001	1st GAER ASS'Y	1	
156	EDSA01S749	HEX STAY PIN	2		A7	DST010S012	CHAIN BOX ASS'Y	1	
157	DSTTB10P00	TERMINAL BLOCK	1		A8	DST050S010	BOTTOM HOOK ASS'Y	1	
158	DSPM041200	MACHINE SCREW S/W	2		A9	DST050S009	TOP HOOK ASS'Y	1	
159	DSPMA10000	MAGNETIC CONTACTOR	2		A10	DST010S003	GEAR SIDE PLATE ASS'Y	1	
161	DST010S591	POWER CABLE ASS'Y	1		A11	DST010S200	2nd GEAR ASS'Y	1	
162	DST010S701	PUSH BUTTON CABLE	1		A12	EDSS010S11	ELECTRIC ASS'Y(EDSS)	1	
163	DSPPB3P000	PUSH BUTTON	1		A12	EDSSE10S11	ELECTRIC ASS'Y(EDSS(E))	1	
201	DSPCR10000	R PIN	2	10 $\bar{\sigma}$	A13	DST010S003	PUSH BUTTON ASS'Y	1	
202	DSA010S842	CHAIN BOX SUPPORT PIN	1		ASSEMBLY<EDSS(E)>				
203	DSPP080000	PLAIN WASHER	2	M8	EA1	DSTE10SEA1	BRAKE DISC ASS'Y	1	
204	DSPN080000	HEX NUT	2	M8	A2E	DSTE10SA2E	BRAKE COIL ASS'Y	1	
250	EDST010250	INTERFACE	1		EA2	DSTE10SEA2	BRAKE STATOR ASS'Y	1	
251	EDST01S251	INTERFACE BOARD	1		EA3	DSTE05SEA3	ROTOR ASS'Y(0.5S)	1	
252	EDST01S252	INVERTER	1		A12	EDSTE10S11	ELECTRIC ASS'Y(EDSTE)	1	

## EDSS, EDSS(E)-1S, 2W PART LIST

NO	CODE NO	DESCRIPTION	Q'TY	REMARK	NO	CODE NO	DESCRIPTION	Q'TY	REMARK
1	DST010S704	PACKING CAP	1		61	DST010S404	PACKING CHAIN GUIDE	1	
2	DSPW082500	WRENCH BOLT S/W	4	M8x25	62	DSPW084500	WRENCH BOLT S/W	2	M8x45
4	DST010S702	BRAKE COVER	1		63	DST010S123	STAY BOLT A	1	
5	DSPLAN0400	LOCK NUT	1	AN04	64	DSP0P10000	ORING	1	P10
6	DSPLAW0400	LOCK WASHER	1	AW04	65	DSPW052500	WRENCH BOLT S/W	2	M5x25
7	DSPSR47000	SNAP RING	1	R47	67	DST010S124	STAY BOLT B	2	
8	DSPP213303	PLAIN WASHER	2	21 33 4	68	DST010S300	GEAR SIDE PLATE	1	
9	DSPB6204DD	BALL BEARING	1	6204DD	70	DSPS120000	SPRING WASHER	1	M12
10	DST010S703	CLUTCH SPRING	2		71	DSPU120000	U-NUT	1	M12
11	DST010S708	BRAKE DISC	1		72	DST010S215	PACKING STOPPER BOLT	1	
12	DST010S707	LINING	1		73	DST010S301	STOPPER BOLT	1	
13	DST010S700	MOVING CORE	1		75	DSPW063000	HEX WRENCH BOLT	2	M6x30
14	DST010S705	BRAKE SPRING	1		76	DST010S15G	SAFTY LATCH	2	
17	DST010S505	MAGNETIC CORE	1		77	DST010S15H	SAFTY LATCH SPRING	2	
20	DST010S500	ROTOR SHAFT	1		78	DST010S01A	TOP HOOK	1	
20-1	DST010S201	PLAIN WASHER	1		79	DSPU060000	U-NUT	2	M6
21	DST010S501	ROTOR	1		81	DST010S305	4th GEAR	1	
22	DST010S602	STATOR	1		82	DSPSS40000	SNAP RING	1	S40
23	DST010S600	MOTOR CASE	1		83	DSPB6301ZZ	BALL BEARING	1	6301ZZ
24	DSPW102000	WRENCH BOLT S/W	4	M10x20	84	DSPB6204ZZ	BALL BEARING	1	6204ZZ
25	DSPS100000	SPRING WASHER	9	M10	85	DST010S203	3RD GEAR	1	
26	DST010S601	PACKING MOTOR CASE	1		86	DST010S208	COLLAR D	1	
27	DSPSP08120	SPRING PIN	2	ø8x12	87	DST010S207	CLUTCH SPRING	2	
28	DST010S027	MOTOR NAME PLATE	1		88	DST010S204	CLUTCH DISC	2	
29	DSPRI03100	RIVET	2	ø3x10	89	DST010S206	GUIDE COLLAR	1	
30	DSPW061500	WRENCH BOLT S/W	6	M6x15	90	DST010S202	CLUTCH LINING	2	
31	DSPCR10000	R PIN	2	10 $\frac{3}{8}$	91	DST010S201	2nd GEAR	1	
32	DSPP080000	PLAIN WASHER	2	M8	92	DST010S209	COLLAR C	1	
33	DSPSP10120	SPRING PIN	4	ø10x12	93	DSPB6203ZZ	BALL BEARING	1	6203ZZ
34	DST010S302	TOP HOOK PIN	1		94	DST010S205	COLLAR A	1	
35	DST010S121	SUPPORT BOSS	2		95	DSP0254008	OIL SEAL	1	25x40x8
36	DST010S120	MOTOR SIDE PLATE	1		96	DSP0P12500	ORING	1	P12.5
37	DSPN100000	HEX NUT	9	M10	97	DSPU120000	U-NUT(PITCH 1.25)	1	M12
38	DST010S038	PACKING BRAKE COVER	1		101	DST010S211	PACKING GEAR CASE	1	
39	DST010S904	CHAIN BOX STAY BOLT	1		102	DST010S210	GEAR CASE	1	
40	DST010S101	1st GEAR JOINT	1		103	DSPW061801	HEX WRENCH BOLT S/W	4	M6x18
41	DST010S100	1st GEAR	1		105	DSPH101500	AIR HOLE BOLT	1	M10x15
42	DSPSR80000	SNAP RING	1	R80	106	DST010S214	PACKING OIL PLUG	1	
43	DSPB6208ZZ	BALL BEARING	2	6208ZZ	107	DST010S212	OIL PLUG	1	
44	DST010S128	CHAIN GUIDE COLLAR	1		108	DSPH101500	HEX BOLT	2	M10x15
45	DSP0213208	OIL SEAL	1	21 32 8	109	DSP0257500	ORING	2	ø2.5x7.5
46	DST010S403	LOAD SHEAVE	1		110	DSPH102000	HEX BOLT S/W	5	M10x20
47	DSP0456812	OIL SEAL	1	45 68 12	111	DST010S111	PACKING BOARD	1	
48	DSPB6008ZZ	BALL BEARING	1	6008ZZ	112	EDST01S110	COMPONENT BOARD	1	
49	DSA010S207	HANGER HOLDING METAL	1		113	DST010S014	CORD HOLDER ASS'Y	1	
51	DSPW062000	HEX WRENCH BOLT S/W	4	M6x20	114	DSPN050000	HEX NUT	2	M5
52	DST010S408	ROLLER COVER	1		115	DST010S674	HEX STAY PIN(S)	4	
53	DST010S409	ROLLER PIN	1		116	EDST01S112	ELECTRIC EQUIPMENT BOARD	1	
54	DST010S407	ROLLER	1		118	DSPM061200	MACHIN SCREW S/W	8	M6x12
55	DST010S420	STRIPPER	1		120	EDST01S801	PACKING COMPONENT CASE	1	
56	DSPTS04100	TAP SCREW	2	M4x10	121	EDST01S802	ELECTRIC COMPONENT CASE	1	
57	DST010S410	M/S BRACKET	1		122	DSPS080000	SPRING WASHER	1	M8
58	DSPM061500	MACHIN SCREW S/W	2	M6x15	123	EDSS10S123	NAME PLATE	1	
59	DST010S411	LIMIT SWITCH	1		124	DSPN080000	NUT	1	M8
60	DST010S400	CHAIN GUIDE	1		125	DSPE080000	EYE BOLT	1	M8

EDSS, EDSS(E)-1S, 2W PART LIST

NO	CODE NO	DESCRIPTION	Q'TY	REMARK	NO	CODE NO	DESCRIPTION	Q'TY	REMARK
126	DSPM051200	MACHIN SCREW S/W	1	M5x12	194	DSA020W15A	BOTTOM HOOK	1	
127	DST010S127	LOAD LIMITER	1		201	DSPCR10000	R PIN	2	10 $\bar{\text{c}}$
128	DST010S128	CHAIN BOX HANGER PIN	1		202	DSA010S842	CHAIN BOX SUPPORT PIN	1	
129	DST010S129	STAY PIPE	2		203	DSPP080000	PLAIN WASHER	2	M8
130	DST010S130	RETURN SPRING	1		204	DSPN080000	HEX NUT	2	M8
131	DSPP120000	PLAIN WASHER	1	M12	250	EDST010250	INTERFACE	1	
132	DST010S021	CHIAN BOX	1		251	EDST01S251	INTERFACE BOARD	1	
133	DST010S133	CHAIN BOX HANGER	1		252	EDST01S252	INVERTER	1	
134	DST010S134	CHAIN BOX HANGER PIN	1		253	DST0010253	BRAKING RESISTANCE	1	
135	DSPCR10000	R PIN	2	10 $\bar{\text{c}}$	254	DST0010254	COVER	1	
136	DST010S800	LOAD CHAIN	1		255	DST0010255	CABLE LOCKER	1	
137	DST010S013	BUMPER ASS'Y	2		256	DST0010256	BASE PLATE	1	
138	DSPH083500	HEX BOLT	2	M8x35	257	DST0010257	BRACKET	1	
139	DSPT511040	THRUST BEARING	1	51104					
140	DST010S15C	SPLIT RING	2						
141	DST010S901	BOTTOM HOOK COVER	2						
142	DSPS080000	SPRING WASHER	2	M8	EDSS(E) PART				
143	DSPN080000	HEX NUT	2	M8	3	DSPW083500	WRENCH BOLT S/W	4	M8x35
144	DST010S15A	BOTTOM HOOK	2		4	DSTE10S004	BRAKE COVER	1	
145	DST010S20A	CHAIN STOPPER	2		5	DSTE10S015	BRAKE STATOR	1	
146	DSPW062500	WRENCH BOLT	2	M6x25	6	DSTE10S017	BOBIN	1	
148	DSPCR12000	R PIN	2	12 $\bar{\text{c}}$	7	DSTE10S016	STAY PIN	4	
152	DSPM040800	MACHINE SCREW S/W P/W	4	M4x8	8	DSTE10S030	BEARING SUPPORT	1	
153	DSPTR40VA0	TRANSFORMER	1		9	DSPB6205DD	BALL BEARING	1	6205DD
154	DSPFH3P000	FUSE HOLDER	1		11	DSTE10S011	BRAKE DISC	1	
155	DSPF01A000	FUSE	3		12	DSTE10S012	LINING	2	
156	EDSA01S749	HEX STAY PIN	2		13	DSTE10S013	MOVING CORE	1	
157	DSTTB10P00	TERMINAL BLOCK	1		14	DSTE10S014	BRAKE SPRING	4	
158	DSPM041200	MACHINE SCREW S/W	2		20	DSTE10S019	ROTOR SHAFT	1	
161	DST010S591	POWER CABLE ASS'Y	1		21	DSTE10S021	ROTOR	1	
162	DST010S701	PUSH BUTTON CABLE	1		159	DSA010S600	MAGNETIC CONTACTOR	1	
163	DSPPB3P000	PUSH BUTTON	1		300	DSA010S663	DPM(RECTIFIER)	1	
170	DSA020W01A	TOP HOOK	1		ASSEMBLY(EDSS)				
171	DSA020W15E	SAFTY LATCH	2		A1	DST010S007	BRAKE ASS'Y	1	
172	DSA020W15K	SAFTY LATCH SPRING	2		A1N	DST010SA1N	BRAKE DISC ASS'Y	1	
173	DSP0430000	HEX WRENCH BOLT	2	M4x30	A3	DST010S005	ROTOR ASS'Y	1	
174	DSPU040000	U-NUT	2	M4	A4	DST010S006	MOTOR ASS'Y	1	
175	DSA020W01C	CONNECTING BOLT	1		A4S	DST010SA4S	STATOR ASS'Y	1	
176	DSPP200000	PLAIN WASHER	1	M20	A5	DST010S002	MOTOR SIDE PLATE ASS'Y	1	
177	DSPU200000	U-NUT	1	M20	A6	DST010S001	1st GAER ASS'Y	1	
178	DST020W01B	ARM	1		A7	DST010S012	CHAIN BOX ASS'Y	1	
179	DSA020W01F	HEX BOLT	1		A8	DST010S010	BOTTOM HOOK ASS'Y	1	
180	DSPU080000	U-NUT	1	M8	A9	DST010S009	TOP HOOK ASS'Y	1	
181	DST020W15C	BOTTOM HOOK CHAIN GUIDE	1	M8x42x17	A10	DST010S003	GEAR SIDE PLATE ASS'Y	1	
182	DSPNF20400	ROLLER BEARING	2	NF204	A11	DST010S200	2nd GEAR ASS'Y	1	
183	DSA020W15R	IDLE SHEAVE	1		A12	EDSS10S011	ELECTRIC ASS'Y(EDSS)	1	
184	DSA020W15I	IDLE SHEAVE COLLAR	1		A13	DST010S003	PUSH BUTTON ASS'Y	1	
185	DSPCP35530	COTTER PIN	2	$\phi$ 4x40	A14	DST020W009	TOP HOOK ASS'Y - 2W	1	
186	DSA020W15D	IDLE SHAVE PIN	1		A15	DST020W010	BOTTOM HOOK ASS'Y - 2W	1	
187	DSPH087600	HEX BOLT	1	M8x70	ASSEMBLY<EDSS(E)>				
189	DSPU080000	U NUT	1	M8	EA1	DSTE10SEA1	BRAKE DISC ASS'Y	1	
190	DSA020W15B	BOTTOM HOOK COVER	1		A2E	DSTE10SA2E	BRAKE COIL ASS'Y	1	
191	DSPT512050	THRUST BEARING	1	51205	EA2	DSTE10SEA2	BRAKE STATOR ASS'Y	1	
192	DSA020W15F	BOTTOM HOOK NUT	1	M20	EA3	DSTE10SEA3	ROTOR ASS'Y	1	
193	DSPSP04300	SPRING PIN	1	$\phi$ 4x30	A12	EDSSE10S11	ELECTRIC ASS'Y	1	